

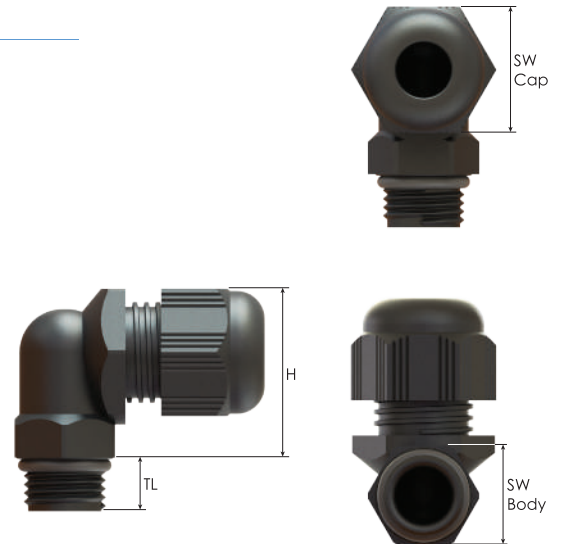
Elbow Glands Polyamide

Elbow glands with lamellar clamping

- For cables guided along housing side.
- Easy assembly: install cable gland - insert cable - tighten cap.
- High quality strain relief and sealing, reliable performance for standard industrial applications..

Technical Details

Body, Cap	PA 6 (Polyamide 6)	
Material Sealing	CR (Chloroprene)	
O-Ring	NBR	
Ingress Protection Rating	IP 68 - 5 Bar, 30 min IP 66	
Flammability	V2 according to UL94	
Operating Temperature	Permanent	Intermittent
	-20 °C to +100 °C	-30 °C to +150 °C
Thread Type	<ul style="list-style-type: none"> • PG DIN 40430 • Other thread types also available upon request. 	
Cable Type	Non armoured	
Accessories	<ul style="list-style-type: none"> • Lock nuts • Dome plugs • Reducing seals • Flat cable seals • Multihole seals • Gaskets (Washers) 	
	<ul style="list-style-type: none"> • Different sealing types available. • In compliance with DIN EN 62444. • We recommend the use of lock nuts and gaskets to ensure IP rating for rough surfaces or through holes. • Accessories must be ordered separately. 	
Remarks		



Thread Type PG acc. to DIN 40430

Outer Thread Size (Male)	Clamping Range Ø min-max mm	Outer Thread Length TL mm	Spanner Width		max. Height H mm	Part Number			Minimum Order Quantity
			Cap SW Cap mm	Body SW Body mm		RAL 7035	RAL 7001	RAL 9005	
						light grey	grey	black	
PG 7	3,0 - 6,0	8,0	19	19	26,5	EG-11R	EG-01R	EG-21R	2000
	4,0 - 8,0	8,0	19	19	26,5	EG-11	EG-01	EG-21	2000
PG 9	3,0 - 6,0	7,0	19	19	28,5	EG-12R	EG-02R	EG-22R	2000
	4,0 - 8,0	7,0	19	19	28,5	EG-12	EG-02	EG-22	2000